

# AL1601A ( 16 CHARACTERS x 1 LINES )

## FEATURES

- 5 x 7 DOTS WITH CURSOR
- BUILT-IN CONTROLLER (KS0066 OR EQUIVALENT)
- 3.3 V POWER SUPPLY
- 1/16 DUTY CYCLE
- INTERFACE PARALLEL / SPI / I2C

## ELECTRICAL CHARACTERISTICS

ITEM	SYMBOL	CONDITION	MIN.	TYP.	MAX.	UNIT
Supply Voltage	V <sub>DD</sub> -V <sub>SS</sub>	-	2.4	3.3	3.6	V
Supply Current	I <sub>DD</sub>	-	-	50	80	mA
Input Voltage	"HIGH" Level	V <sub>IH</sub>	0.7V <sub>DD</sub>	-	V <sub>DD</sub>	V
	"LOW" Level	V <sub>IL</sub>	0	-	0.3V <sub>DD</sub>	V
Output Voltage	"HIGH" Level	V <sub>OH</sub>	0.7V <sub>DD</sub>	-	V <sub>DD</sub>	V
	"LOW" Level	V <sub>OL</sub>	0	-	0.3V <sub>DD</sub>	V

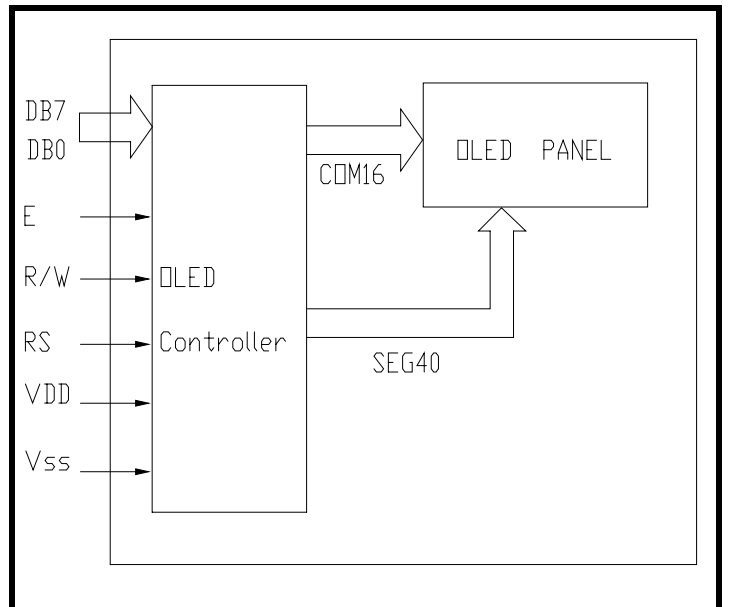
## MECHANICAL DATA

ITEM	DIMENSIONS	UNIT
Module Size ( W x H x T )	80.0 x 36.0 x 9.7	mm
Viewing Area ( W x H )	61.56 x 8.56	mm
Character Size ( W x H )	3.07 x 6.56	mm
Dot Size ( W x H )	0.55 x 0.75	mm
Dot Pitch ( W x H )	0.63 x 0.83	mm

## INTERFACE PIN CONNECTIONS

NO.	SYMBOL	FUNCTION	NO.	SYMBOL	FUNCTION
1	V <sub>SS</sub>	Supply Ground	9	DB2	Data Bit 2
2	V <sub>DD</sub>	Supply Voltage	10	DB3	Data Bit 3
3	NC	No Connector	11	DB4	Data Bit 4
4	RS	Register Select	12	DB5	Data Bit 5
5	R/W	Read/Write	13	DB6	Data Bit 6
6	E	Enable Signal	14	DB7	Data Bit 7
7	DB0	Data Bit 0	15	NC	No Connector
8	DB1	Data Bit 1	16	NC	No Connector

## BLOCK DIAGRAM



## EXTERNAL DIMENSIONS

